

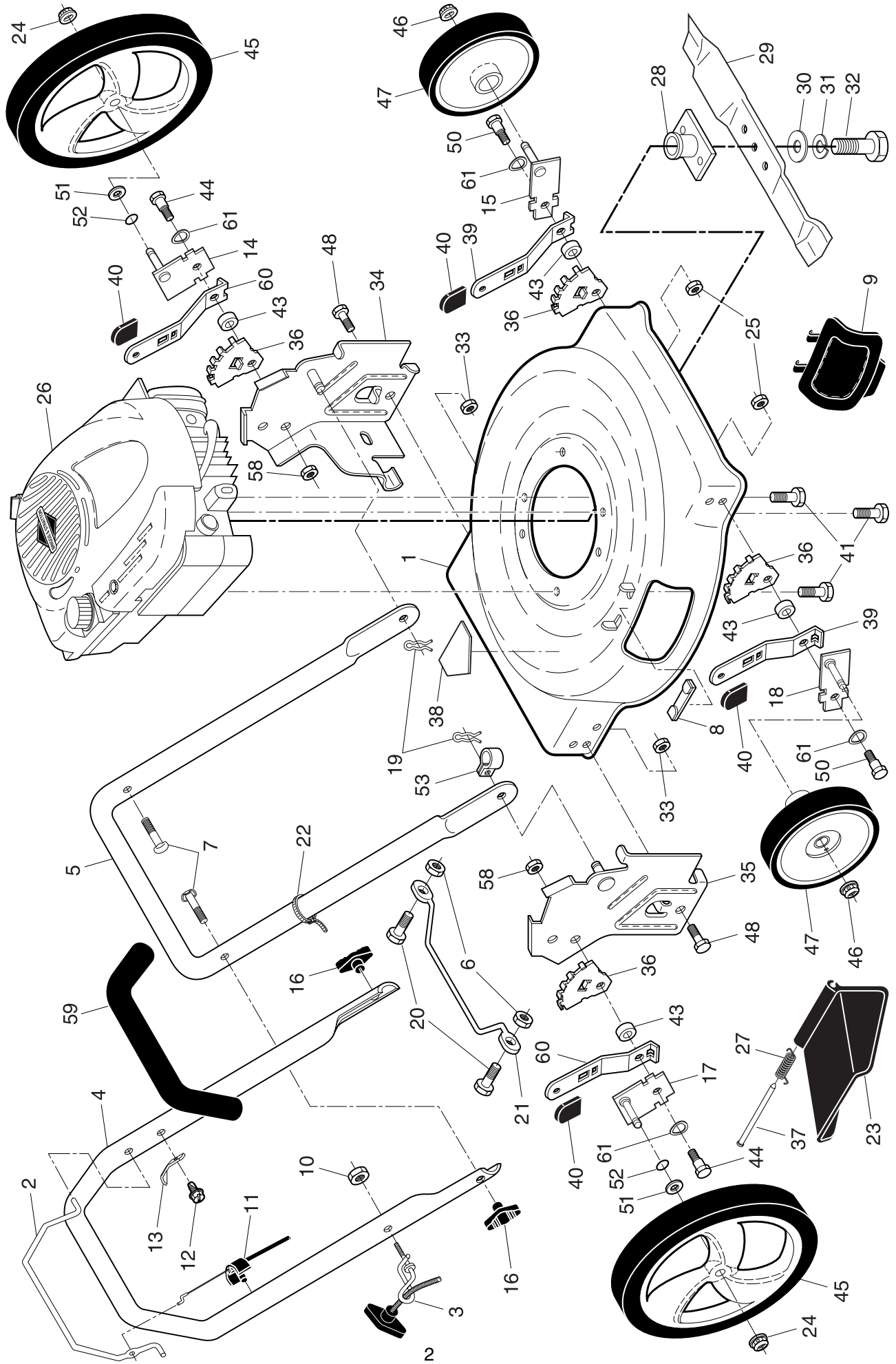
**ILLUSTRATED PARTS LIST**

**MODEL NUMBER 6056SM**

**PRODUCT NUMBER 961 11 00-09**

**MFG. ID. NUMBER 96111000902**

**ROTARY LAWN MOWER -- MODEL NUMBER 6056SM (96111000902) PRODUCT NUMBER 961 11 00-09**



# ROTARY LAWN MOWER -- MODEL NUMBER 6056SM (9611100902) PRODUCT NUMBER 961 11 00-09

KEY NO.	PART NO.	DESCRIPTION	KEY NO.	PART NO.	DESCRIPTION
1	532 18 52-63	Lawn Mower Housing (Includes Key Number 38)	30	532 85 10-74	Hardened Washer
2	532 16 17-48	Control Bar	31	532 85 02-63	Helical Lockwasher 3/8
3	532 19 47-88	Rope Guide	32	532 85 10-84	Hex Head Screw 3/8-24 x 1/4 Grade 8
4	532 17 36-93	Upper Handle (Includes Foam Grip)	33	873 80 05-00	Locknut 5/16-18
5	532 17 42-91	Lower Handle	34	532 40 35-08	Wheel Bracket, Support, LH
6	532 06 91-80	Locknut, Hex 1/4-20	35	532 40 35-07	Wheel Bracket, Support, RH
7	532 19 15-74	Handle Bolt 5/16-18	36	<b>532 41 05-94</b>	Wheel Bracket, Adjuster
8	532 16 16-22	Clip, Closeout	37	532 16 08-33	Hinge Rod
9	532 16 08-30	Plate, Mulcher	38	532 18 21-66	Danger Decal
10	532 13 20-04	Nut, Hex	40	532 08 78-77	Selector Knob
11	532 18 35-67	Engine Zone Control Cable	41	532 15 04-06	Hex Head Thread Rolling Screw 3/8-16 x 1
12	532 75 06-34	Hex Thread Rolling Screw #10-24 x 1/2	39	<b>532 40 64-28</b>	Spring
13	532 12 51-62	Up-Stop Bracket	43	<b>532 40 16-29</b>	Washer
14	<b>532 41 06-00</b>	Axle Arm Assembly, Rear, LH	44	<b>532 40 16-38</b>	Shoulder Bolt
15	<b>532 40 66-89</b>	Axle Arm Assembly, Front, LH	45	532 40 35-09	Wheel & Tire Assembly, Rear, 14"
16	532 19 19-38	Handle Knob	46	532 08 39-23	Locknut, Hex 5/16-18
17	<b>532 41 06-01</b>	Axle Arm Assembly, Rear, RH	47	532 40 34-95	Wheel & Tire Assembly, Front, 8"
18	<b>532 40 66-90</b>	Axle Arm Assembly, Front, RH	48	874 76 05-14	Hex Head Bolt 5/16-18 x 3/4
19	532 05 17-93	Hairpin Cotter	50	<b>532 16 08-28</b>	Bolt, Shoulder
20	532 08 58-25	Hex Head Screw 1/4	51	532 08 83-48	Washer, Flat
21	532 15 41-47	Footguard	52	532 19 74-80	O-Ring
22	532 06 64-26	Wire Tie	53	532 19 79-91	Clip, Cable
23	532 16 08-31	Discharge Guard	58	532 75 11-53	Nut, Hex, Centerlock 5/16-18
24	532 14 52-12	Nut, Hex	59	532 16 42-65	Grip, Foam
25	532 16 67-85	Nut, Hex	60	<b>532 41 05-95</b>	Selector Spring
26	---	Engine, Briggs & Stratton, Model Number 12H802 (Order parts from engine manufacturer)	61	<b>532 40 16-30</b>	Washer
27	<b>532 40 85-85</b>	Torsion Spring	--	532 18 21-91	Warning Decal (not shown)
28	532 19 37-07	Blade Adapter	--	532 19 70-59	Operator's Manual, European
29	532 19 93-79	22" Blade	--	532 19 70-60	Operator's Manual, Scandinavian

**NOTE:** All component dimensions given in U.S. inches. 1 inch = 25.4 mm. **IMPORTANT:** Use only Original Equipment Manufacturer (O.E.M.) replacement parts. Failure to do so could be hazardous, damage your lawn mower and void your warranty.